

## Model I-6500 A-HO

Healthcare. Air purification Systems

*Filter airborne bacteria, droplets  
and some viruses*

For use in hospitals, isolation wards and crisis centers.



### Pre-filter

- 2" pleated pre-filter to protect HEPA for a longer life.

### HEPA Filter

- Gel sealed on a knife edge, metal framed HEPA Filter, 18.5" x 23.125" x 12"

### Blower assembly

- 2 speed blower, 450 to 700 CFM. (1050 free flow)
- Factory balanced and tested to ensure quiet, vibration-free operation
- Vibration absorbing motor mounting

### Control Panel

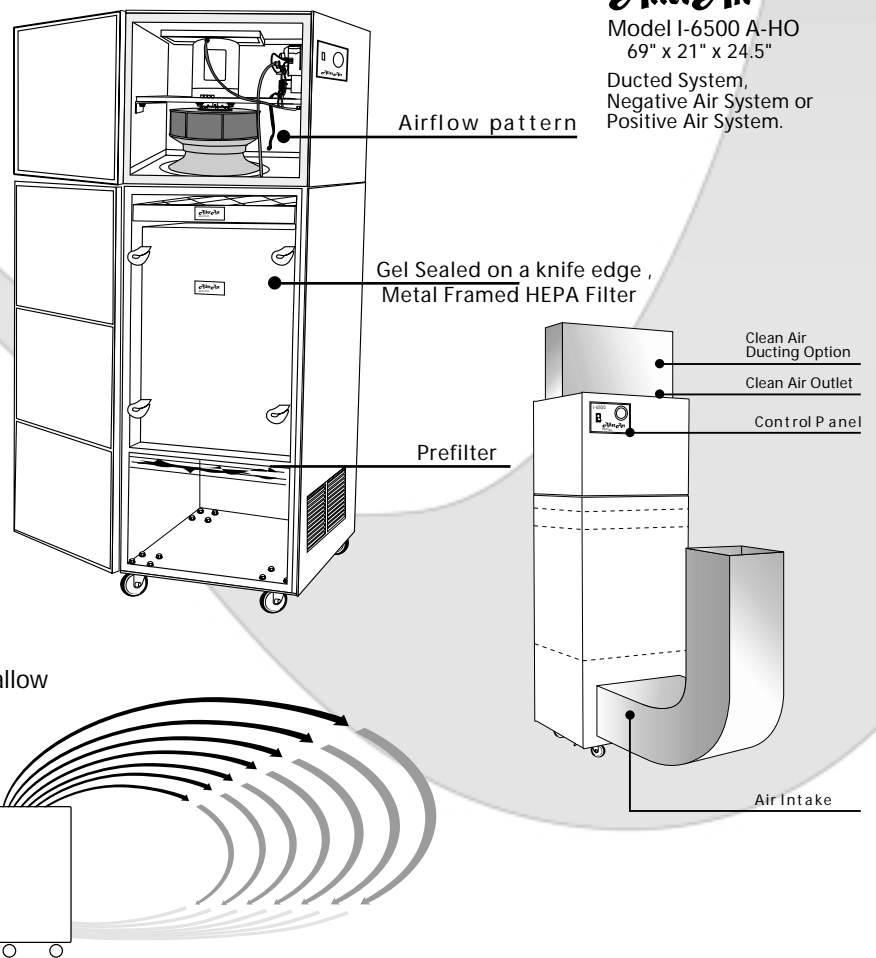
- Recessed, designed for easy monitoring.
- 2 position, on/off switch
- Minihelic gauge for visual indication of filter pressure

### Robust cabinet size housing

- 20 gauge, powder coated steel, which does not allow any off-gassing designed to fit with any decor
- Non moving lockable 3" wheels for easy manoeuvrability.

### Available Options

- See back page for standard and recirculating I-6500 for industry and commerce



**AllerAir™**  
Model I-6500 A-HO  
69" x 21" x 24.5"  
Ducted System,  
Negative Air System or  
Positive Air System.

Heavy duty particulate and/or chemical odor solution

## I-6500 A

**1500 CFM Free Flow**

**Standard Equipment**

- HEPA 18.5" x 23.5" x 12"
  - Carbon, 80 lbs. gas phase adsorbent
  - Anti-microbial pre-filters
- \$ 3999.98**

Or \_\_\_\_\_

- Carbon, 160 lbs. gas phase adsorbent
- HEPA 18.5" x 23.5" x 2"

**\$ 4499.98**

Specialized adsorbents available (ask for cost)

Heavy duty particulate or chemical odor solution

## I-6500 B

**1500 CFM Free Flow**

**Standard Equipment**

- HEPA 18.5" x 23.5" x 12"
  - Anti-microbial pre-filters
- \$ 2999.98**

**Optional Features**

- Carbon, 2" pleat filter **3 for \$ 99.98**
- Granular carbon, 2" filter **\$ 199.98**

Or \_\_\_\_\_

- Carbon, 80 lbs. gas phase adsorbent
- Anti-microbial pre-filters

**\$ 3499.98**

**Optional Features**

- HEPA 2" mini-pleat filter **\$ 159.98**

Specialized adsorbents available (ask for cost)

Heavy duty particulate or chemical odor solution

## I-6500 C

**730 CFM Free Flow**

**Standard Equipment**

- HEPA 18.5" x 23.5" x 12"
  - Anti-microbial pre-filters
- \$ 2499.98**

**Optional Features**

- Carbon, 2" pleat filter **3 for \$ 99.98**
- Granular carbon, 2" filter **\$ 199.98**

Or \_\_\_\_\_

- Carbon, 80 lbs. gas phase adsorbent
- Anti-microbial pre-filters

**\$ 2999.98**

**Optional Features**

- HEPA 2" mini-pleat filter **\$ 159.98**

Specialized adsorbents available (ask for cost)

## I-6500 A

Discharge grille	
Model	I-6500 A
Dimensions:	Height: 70" Width: 21" Length: 24 1/2"
Voltage:	120/1/60
Maximum Power Consumption:	390 watts
Maximum Current:	5.4 amps
Approximate Weight	250 to 340 lbs. <small>(Depending on the filter configurations).</small>

NOTE:  
Carbon filter lid not in place for visual appearance.  
(You must attach lid to filter canister)

## I-6500 B and C

Model	I-6500 B & C
Dimensions:	Height: 48" Width: 21" Length: 24 1/2"
Voltage:	120/1/60
Maximum Power Consumption:	390 watts
Maximum Current:	5.4 amps
Approximate Weight	175 to 250 lbs. <small>(Depending on the filter configurations).</small>